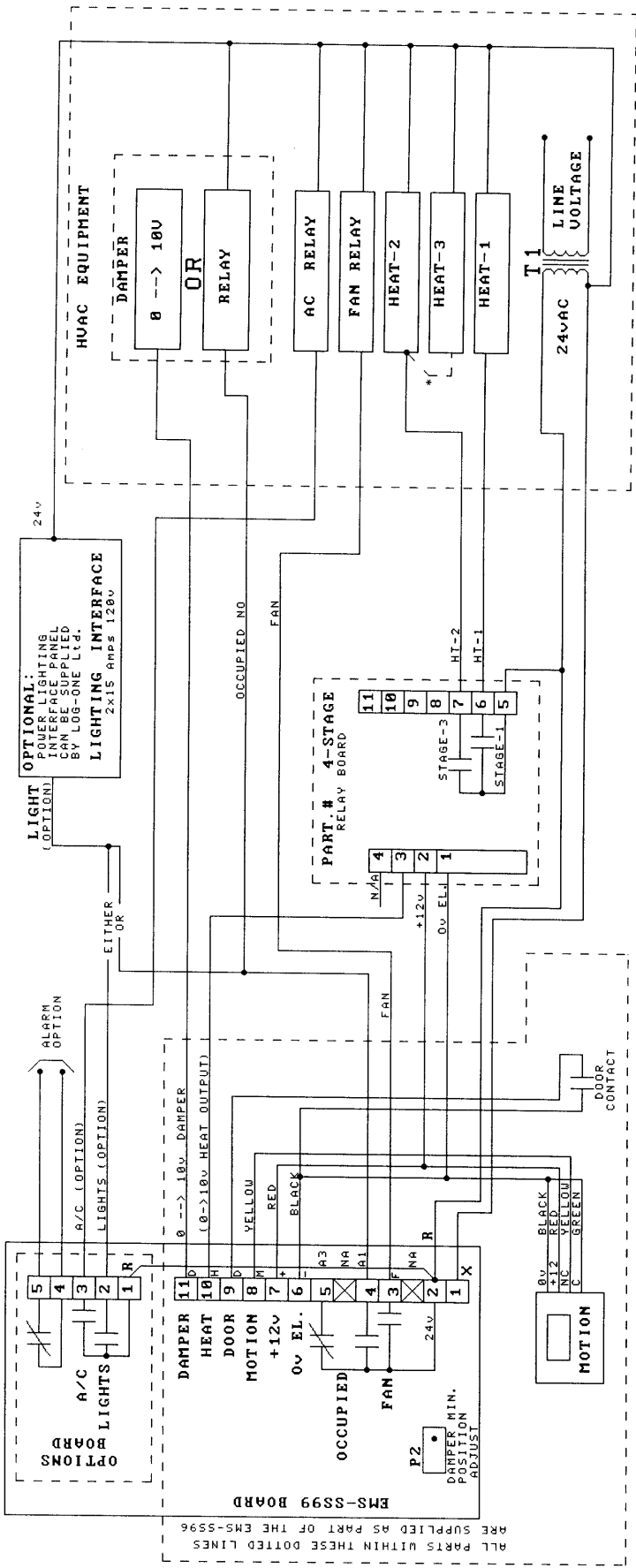


# EMS-SS99 INSTALLATION DIAGRAM (2 STAGE ELECTRIC)



**NOTES:**

- 1) "BLACK" IS DIFFERENT FROM "BK", DO NOT CONNECT TOGETHER
- 2) THE EMS-SS96 AND SS99 ARE THE SAME EXCEPT THAT COMMON FOR "FAN" AND JUMPER TO BE USED. THE YELLOW WIRE ON THE SS99 VERSUS EXTERNAL WIRE TO BE USED. THE YELLOW WIRE ON THE SS99 VERSUS EXTERNAL WIRE TO BE USED. THE YELLOW WIRE ON THE SS99 VERSUS EXTERNAL WIRE TO BE USED. THE YELLOW WIRE ON THE SS99 VERSUS EXTERNAL WIRE TO BE USED.
- 3) IN OUR EXPERIENCE 18KV OF HEAT IS SILENT FOR A PORTABLE, THEREFORE DO NOT CONNECT "HEAT-3" (RS) (CAN BE CONNECTED LATER IF NEEDS TO BE)
- \*) 4-STAGE RELAY BOARD WITH HT-4 OPTION: JUMPER TBI-3 TO TBI-4 ON 4-STAGE RELAY BOARD.

**INSTALLATION WITH NO DOOR CONTACTS:**

- a) CONNECT THE YELLOW WIRE FROM THE MOTION DETECTOR TO TBI-11 (DOOR)
- b) JUMPER TBI-8 TO TBI-9 (EL) TO TBI-10 (MOTION) AS PER DOTTED LINE ON THE DRAWING
- c) ON THE EMS SWITCH US32-3 TO THE OFF POSITION ( = 50 MIN. TIME DELAY)
- d) ON THE EMS SWITCH US32-3 TO THE OFF POSITION ( = 50 MIN. TIME DELAY)

**NOTES:**

\* IF A/C OPTION IS INSTALLED: ENSURE US3-4 IS IN THE ON POSITION (VERY IMPORTANT OTHERWISE A/C WILL NOT START), IF THERE IS NO A/C US3-4 MUST BE OFF OTHERWISE DAMPER WILL CLOSE ON TEMPERATURE RISE ABOVE SET POINT.

This document is the property of LOG-ONE Ltd. and contains confidential, proprietary information. It is not to be disclosed to third parties and is not to be used without prior written approval from LOG-ONE Ltd.

**LOG-ONE Ltd.**  
 Tel. 905-729-4388 Fax. 729-2910  
 Title EMS-SS99 WIRING DIAGRAM  
 Size Number SS 2STAG Revision A  
 Date: 9-SEP-2006 Sheet 1 of 1  
 File: I:\ems-dwg\ss 2st Drawn BY: HUGUES